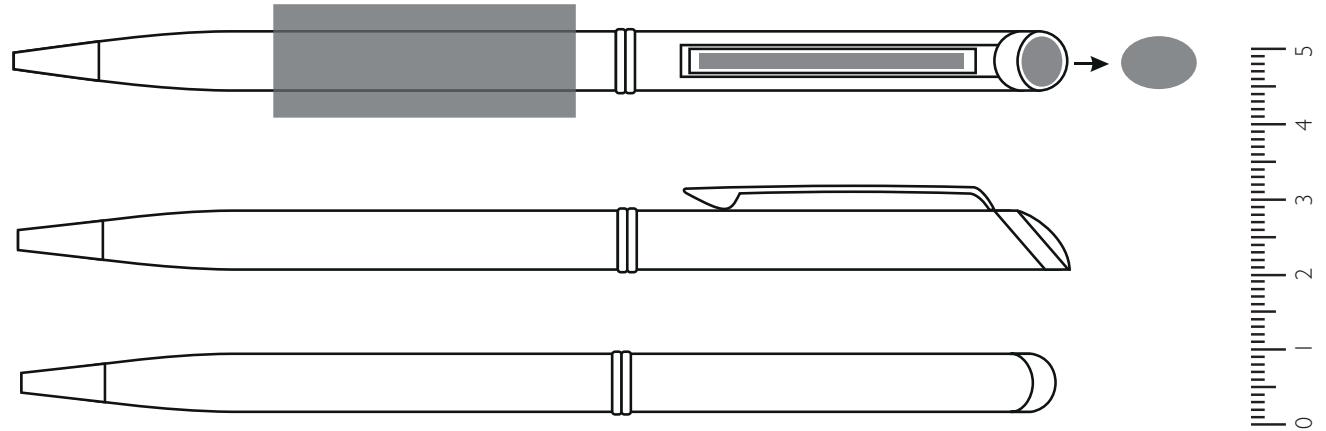


# ARTWORK APPROVAL FORM

# YOUR PROMOPEN

PRINT SEPARATION:



PRINT SEPARATION:

PRINT SEPARATION:

ARTWORK SPECIFIC NOTES

PRINT SEPARATION:

In line with clip - 40 x 15 (mm)	Clip - 35 x 2 (mm)	Dome Print - 10 x 7 (mm)	- (mm)	Wrap: 24 (mm)
Line: Factored   From Clip:   Notes:				

CUSTOMER DETAILS	
JOB NUMBER	K9999
ID	ID
NAME	NAME

PRODUCT INFORMATION	
STNO	2432
NAME	CHAMFER BP
COLOUR	OF PEN
SIZE	140 mm

BRANDING INFORMATION				
ARTWORK SIZE				
COLOUR No.	1	2	3	4
PANTONE REF.	N/A	N/A	N/A	N/A
SWATCH				

## PLEASE NOTE:

THE COLOURS USED ON THIS VISUAL ARE FOR VISUAL GUIDANCE ONLY THEY SHOULD NOT BE CONSIDERED TO BE ACTUAL PRODUCT/TRIM/PRINT COLOURS