

# LE9575 - Americano Mug

Product Dimension(mm): 95x150

## Minimum Print Restrictions (Screen)

Line thickness (0.3mm)

Reversed Line (0.3mm)

Text (6pt)

Reversed Text (10pt)



A E I O U



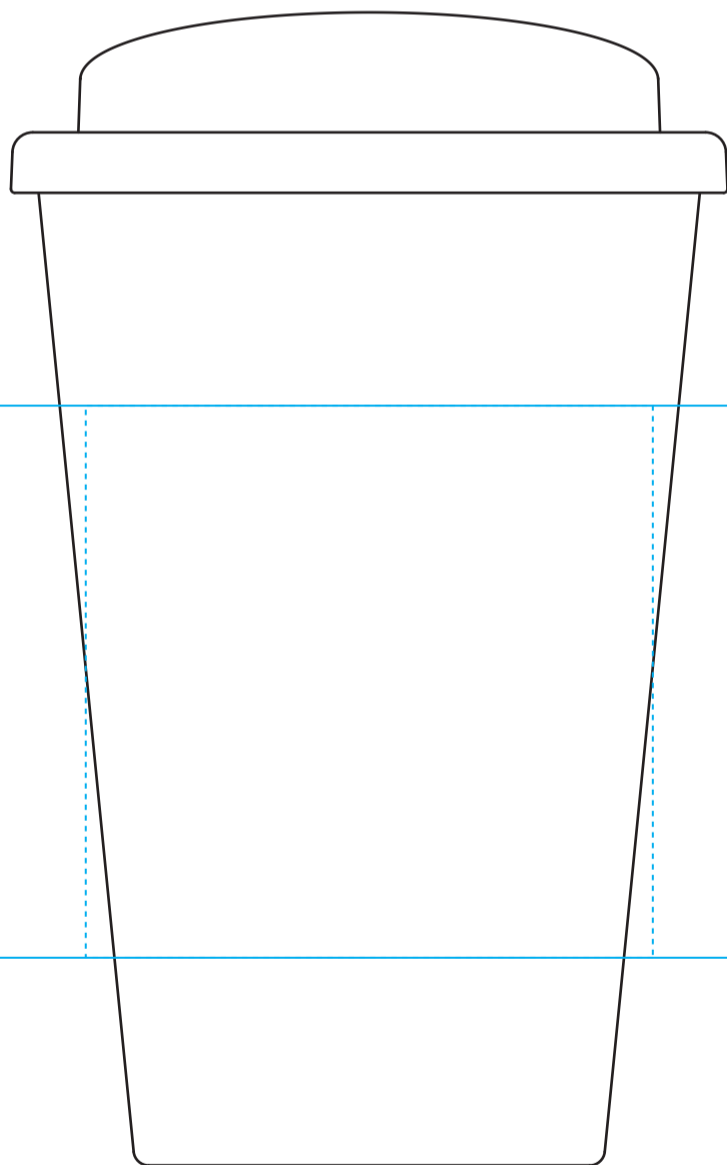
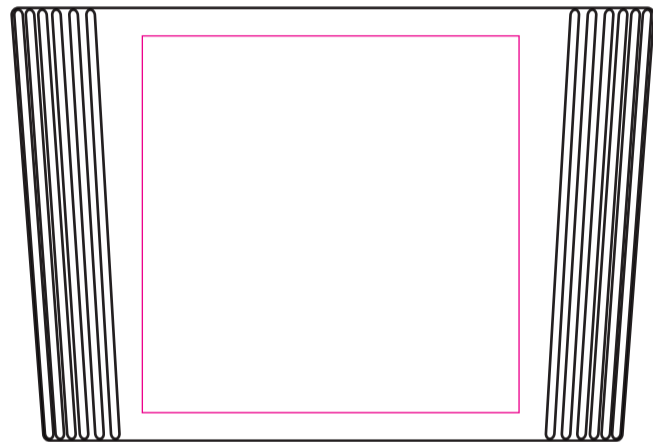
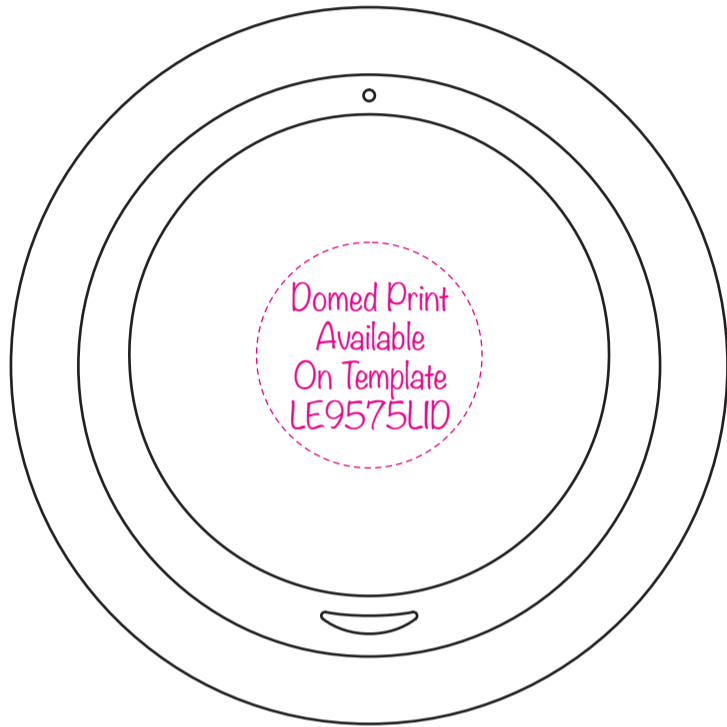
Any lines or text below these restrictions will result in a loss of detail when printed

Artwork Size (Mug) = ??

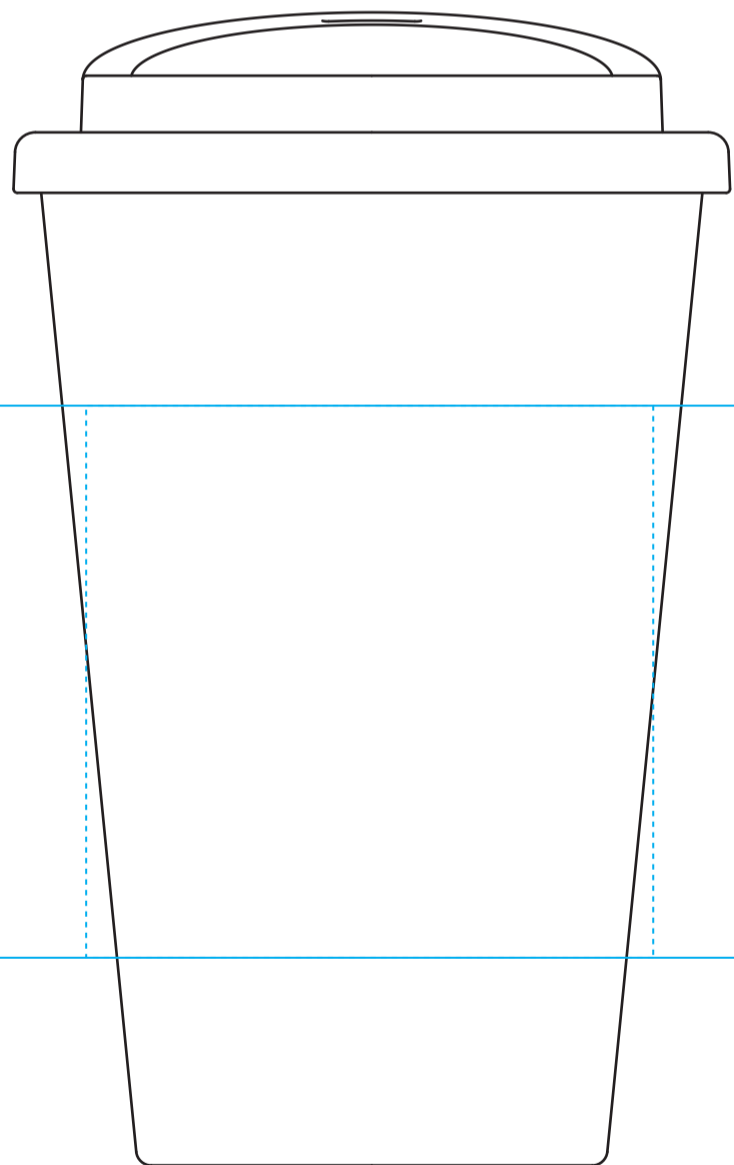
Artwork Size (Grip) = ??

## Please read carefully:

N/A



Nearside



Farside

Grip coverage area

Grip coverage area

## Key:

- Max Print Area (Wraparound)
- - - Max Print Area (Nearside/Farside)
- - - Max Print Area (Grip)

## Notes For Artroom:

- If Artwork Contains a QR Code It Can Be No Larger Than 25x25mm
- If Artwork Is More Than 1 Colour On The Mug, Turn On The 'Crosshairs' Layer
- If The Order Has Domed Printing To The Lid, **DO NOT** Turn On The Lid Layer On This Template, Instead Please Use The Separate Lid Templated (LE9575LID)