

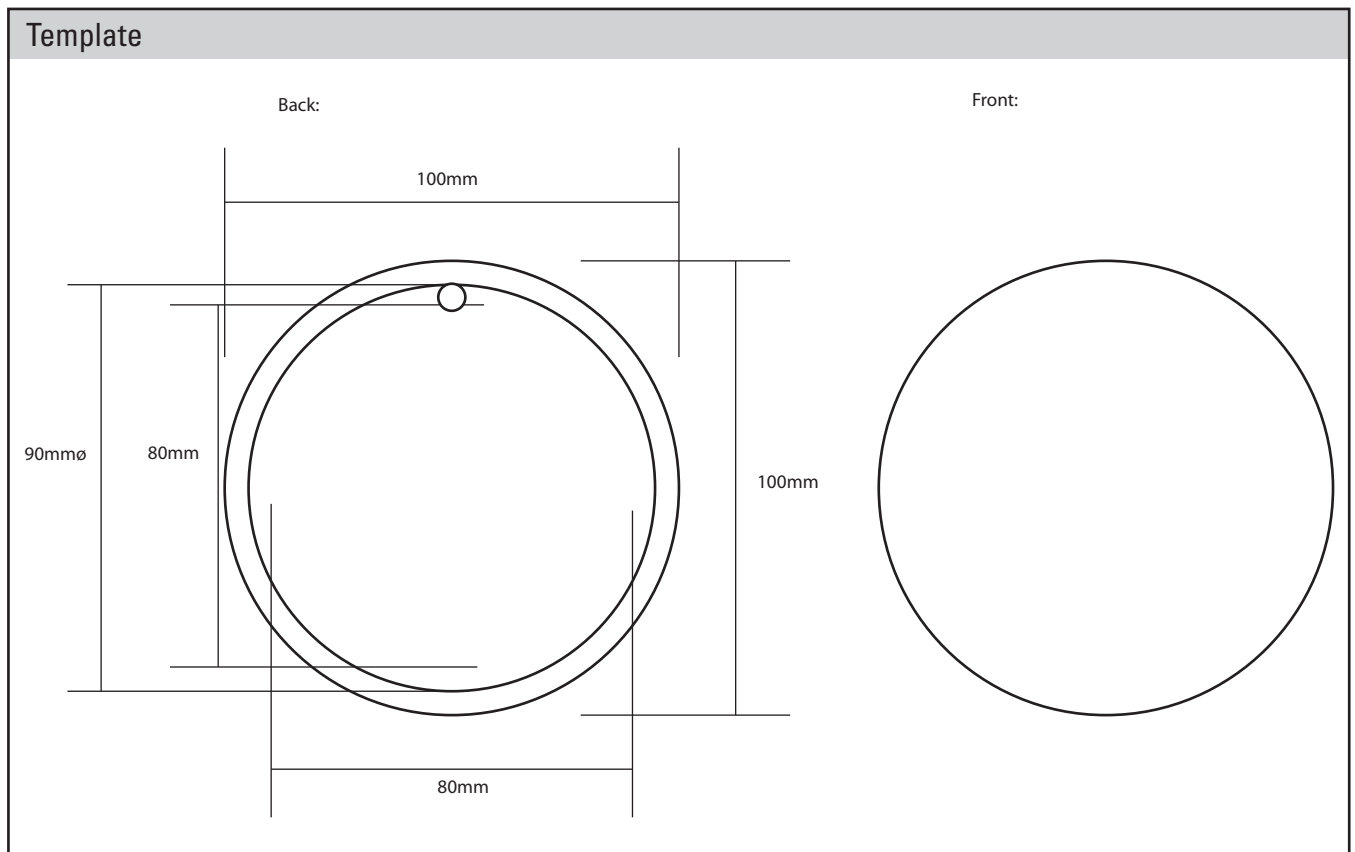
Product Spec Sheet - 8920

Product Name : Child Hard Hat

Product Description

Min Order Qty	100
Manufactured	UK
Production Time	3 Weeks
Material	Polypropelene
Colours Available	Black and white
Bio Material Available	No

Print Area	80ø
Print Method	PAD Print
CMYK Label	yes



Artwork Requirements	
<ul style="list-style-type: none">- File Supplied to be an editable EPS or PDF.- Artwork to be vectorised with text outlined.- Pantone references to be supplied.- Full colour artwork should be supplied as CMYK files at a minimum of 300dpi.	<ul style="list-style-type: none">- Regardless of printing method artwork needs to be emailed with your order number, company name and any other instruction for the job.

Please note

All Information given correct at the time of production.

We will endeavour to maintain the accuracy of this document, however, details may change without notice.

Creative
Promotional
Products