

# Product Spec Sheet - 8911

Product Name : Bottle Top Stop

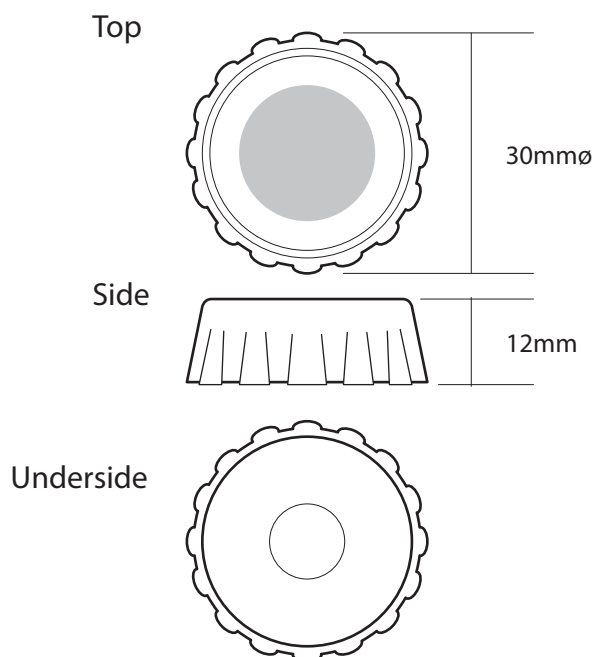
## Product Description

These Crown Cork flexible bottle caps are great for closing off opened bottles. They can be printed or as an option can also be relief moulded.

Min Order Qty	250
Manufactured	UK
Production Time	3-4 Weeks
Material	Polypropylene
Colours Available	White, Red, Blue, Yellow, Green
Bio Material Available	no

Print Area	18mmø
Print Method	Pad Print
CMYK Label	Available

## Template



Dimensions: 220mmø

## Artwork Requirements

- File Supplied to be an editable EPS or PDF.
- Artwork to be vectorised with text outlined.
- Pantone references to be supplied.
- Full colour artwork should be supplied as CMYK files at a minimum of 300dpi.

-Regardless of printing method artwork needs to be emailed with your order number, company name and any other instruction for the job.

### Please note

All Information given correct at the time of production.

We will endeavour to maintain the accuracy of this document, however, details may change without notice.

Creative  
Promotional  
Products