

# Product Spec Sheet - 8876

Product Name : Large Sand Timer

## Product Description

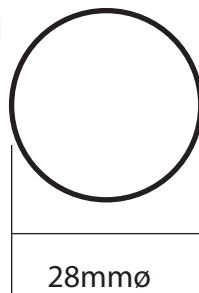
A sand timer ideal for board games and the like - it can be supplied in 60/90/120/180 second formats. They are available in a range of coloured end caps. Clear, durable polycarbonate houses safe, clean, white sand. All of our plastic timers are manufactured in the EU and conform to European Toy Safety standards.

Min Order Qty	100
Manufactured	UK
Production Time	3 Weeks
Material	Polypropelene
Colours Available	Sand is white, caps are mixed colours
Bio Material Available	No

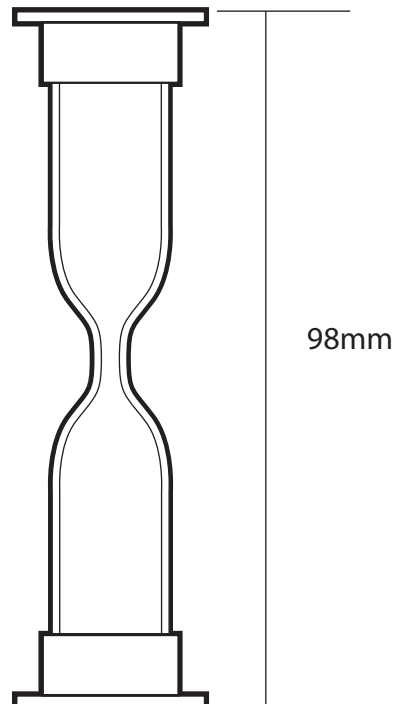
Print Area	25mmø to either end
Print Method	Pad Print
CMYK Label	No

## Template

top end



side



## Artwork Requirements

- File Supplied to be an editable EPS or PDF.
- Artwork to be vectorised with text outlined.
- Pantone references to be supplied.
- Full colour artwork should be supplied as CMYK files at a minimum of 300dpi.

-Regardless of printing method artwork needs to be emailed with your order number, company name and any other instruction for the job.

### Please note

All Information given correct at the time of production.

We will endeavour to maintain the accuracy of this document, however, details may change without notice.

Creative  
Promotional  
Products