

Product Spec Sheet - 8874

Product Name : Bottle Neck Promo Sleeve

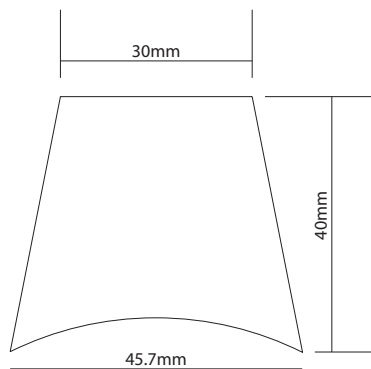
Product Description

These Bottle sleeves are great for special offers or drink promotions - they sit over the neck of most drink bottles and can be full colour printed on one side. Made in 300gsm gloss laminated card.

Min Order Qty	250
Manufactured	UK
Production Time	3 Weeks
Material	Card
Colours Available	All Colours
Bio Material Available	No

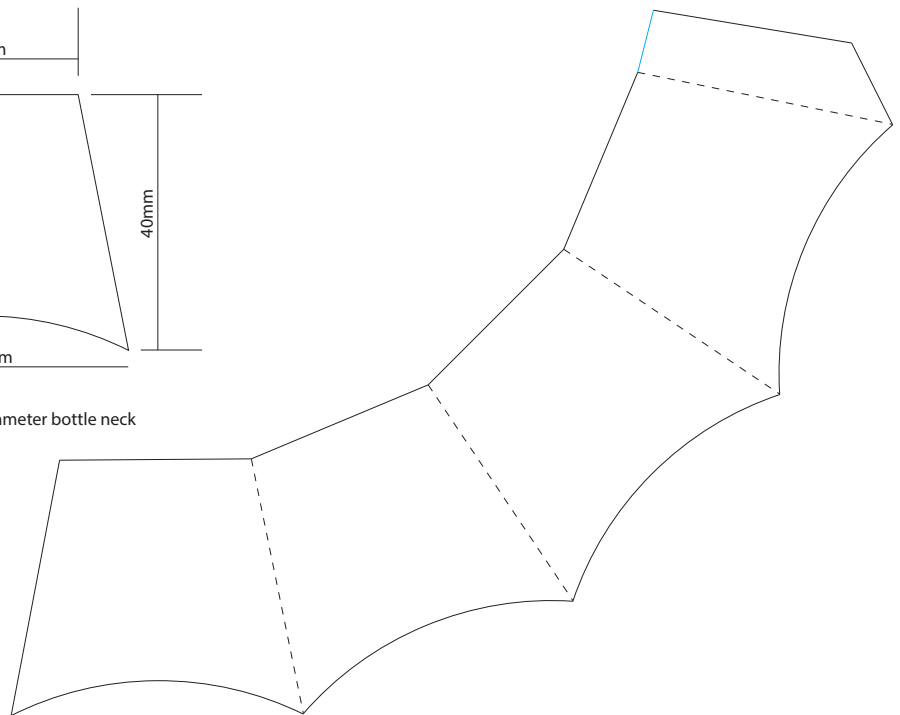
Print Area	full print on product
Print Method	digital
CMYK Label	No

Template



Please note

This version will only fit over a 30mm diameter bottle neck



Artwork Requirements

- File Supplied to be an editable EPS or PDF.
- Artwork to be vectorised with text outlined.
- Pantone references to be supplied.
- Full colour artwork should be supplied as CMYK files at a minimum of 300dpi.

-Regardless of printing method artwork needs to be emailed with your order number, company name and any other instruction for the job.

Please note

All Information given correct at the time of production.

We will endeavour to maintain the accuracy of this document, however, details may change without notice.

Creative
Promotional
Products