

# Product Spec Sheet - 8869

Product Name : Organiser Ruler

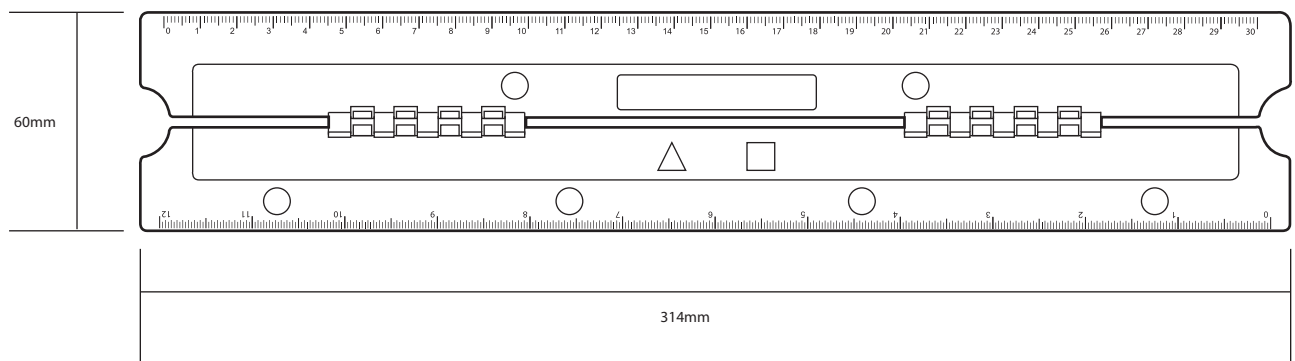
## Product Description

Punch holes, measure documents and stencil small symbols. This handy organiser ruler is perfect for promotions in the office!

Min Order Qty	250
Manufactured	UK
Production Time	3 Weeks
Material	Polypropelene
Colours Available	Available in all standard colours
Bio Material Available	No

Print Area	25x4mm
Print Method	Pad Print
CMYK Label	No

## Template



## Artwork Requirements

- File Supplied to be an editable EPS or PDF.
- Artwork to be vectorised with text outlined.
- Pantone references to be supplied.
- Full colour artwork should be supplied as CMYK files at a minimum of 300dpi.

-Regardless of printing method artwork needs to be emailed with your order number, company name and any other instruction for the job.

### Please note

All Information given correct at the time of production.

We will endeavour to maintain the accuracy of this document, however, details may change without notice.

Creative  
Promotional  
Products