

Product Spec Sheet - 8841

Product Name : Large Remedy Rocks Glass

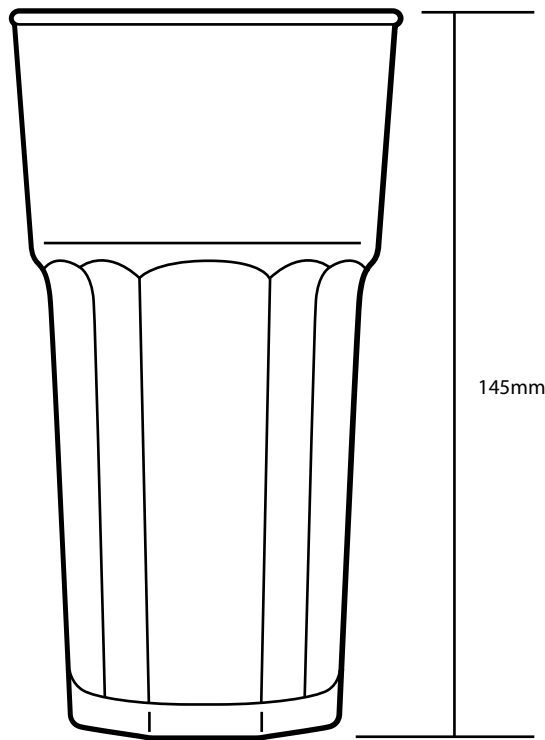
Product Description

The plastic Premium Remedy Rocks Glass is UK manufactured in unbreakable Polycarbonate and can be printed in up to 4 spot colours.

Min Order Qty	250
Manufactured	UK
Production Time	3 Weeks
Material	Polycarbonate
Colours Available	Clear
Bio Material Available	No

Print Area	50x35mm
Print Method	Pad Print
CMYK Label	No

Template



Dimensions:
Height: 174mm
Width: 75mm

Artwork Requirements

- File Supplied to be an editable EPS or PDF.
- Artwork to be vectorised with text outlined.
- Pantone references to be supplied.
- Full colour artwork should be supplied as CMYK files at a minimum of 300dpi.

-Regardless of printing method artwork needs to be emailed with your order number, company name and any other instruction for the job.

Please note

All Information given correct at the time of production.

We will endeavour to maintain the accuracy of this document, however, details may change without notice.

Creative
Promotional
Products