

Product Spec Sheet - 8731

Product Name : Weekly Pill Box

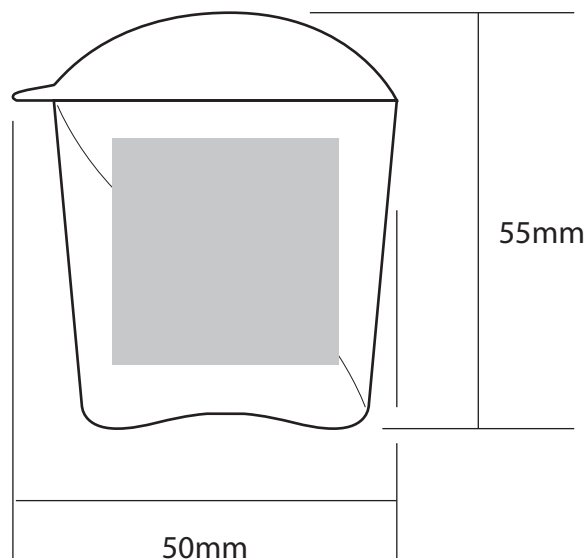
Product Description

These Maxifit earplugs comply with EN 352-2 and come complete with cord, packed into a small container. The container can be printed in up to 4 spot colours.

Min Order Qty	100
Manufactured	UK
Production Time	3 Weeks
Material	Polypropelene
Colours Available	Black
Bio Material Available	No

Print Area	30x30mm
Print Method	Pad Print
CMYK Label	No

Template



Dimensions:
Width: 50mm
Height: 55mm

Artwork Requirements

- File Supplied to be an editable EPS or PDF.
- Artwork to be vectorised with text outlined.
- Pantone references to be supplied.
- Full colour artwork should be supplied as CMYK files at a minimum of 300dpi.

-Regardless of printing method artwork needs to be emailed with your order number, company name and any other instruction for the job.

Please note

All Information given correct at the time of production.

We will endeavour to maintain the accuracy of this document, however, details may change without notice.

Creative
Promotional
Products