

Product Spec Sheet - 8716

Product Name : Budget 18" ruler

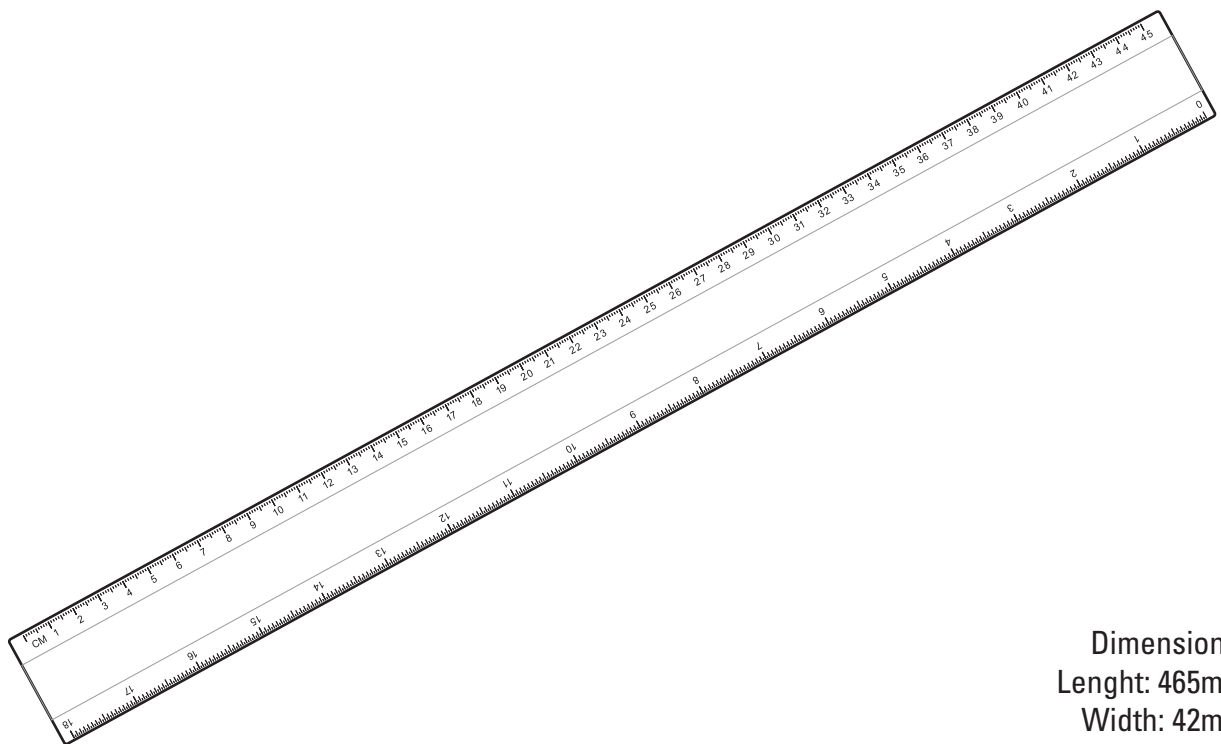
Product Description

A large 18", gently bevelled, ruler offered at a budget price.
Scales are printed with the logo.

Min Order Qty	250
Manufactured	UK
Production Time	3 Weeks
Material	Polypropelene
Colours Available	Available in all standard colours
Bio Material Available	No

Print Area	450x22mm
Print Method	Screen Print
CMYK Label	No

Template



Dimensions:
Lenght: 465mm
Width: 42mm

Artwork Requirements

- File Supplied to be an editable EPS or PDF.
- Artwork to be vectorised with text outlined.
- Pantone references to be supplied.
- Full colour artwork should be supplied as CMYK files at a minimum of 300dpi.

-Regardless of prinitng method artwork needs to be emailed with your order number, company name and any other instruction for the job.

Please note

All Information given correct at the time of production.

We will endwavour to maintain the accuracy of this document, however, details may change without notice.

Creative
Promotional
Products