

Product Spec Sheet - 8714

Product Name : Tyre Tread Gauge Keyring - M

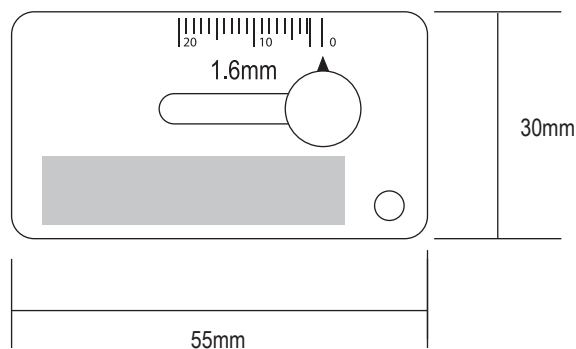
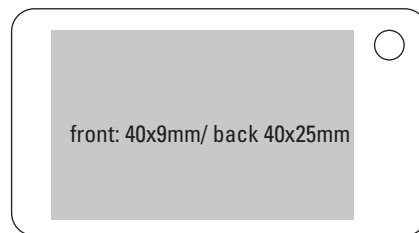
Product Description

This tread check tool can be moulded with body and slider in contrasting colours. The scale is included in the unit price and it can be printed in up to 4 spot colours. A keyring fitting is an added option.

Min Order Qty	100
Manufactured	UK
Production Time	3 Weeks
Material	Polypropelene
Colours Available	Available in all standard colours
Bio Material Available	No

Print Area	front: 40x9mm/ back 40x25mm
Print Method	Pad Print
CMYK Label	No

Template



Dimensions:
Width: 30mm
Length: 55mm

Artwork Requirements

- File Supplied to be an editable EPS or PDF.
- Artwork to be vectorised with text outlined.
- Pantone references to be supplied.
- Full colour artwork should be supplied as CMYK files at a minimum of 300dpi.

-Regardless of printing method artwork needs to be emailed with your order number, company name and any other instruction for the job.

Please note

All Information given correct at the time of production.

We will endeavour to maintain the accuracy of this document, however, details may change without notice.

Creative
Promotional
Products