

Product Spec Sheet - 8709

Product Name : Large Shoe Horn

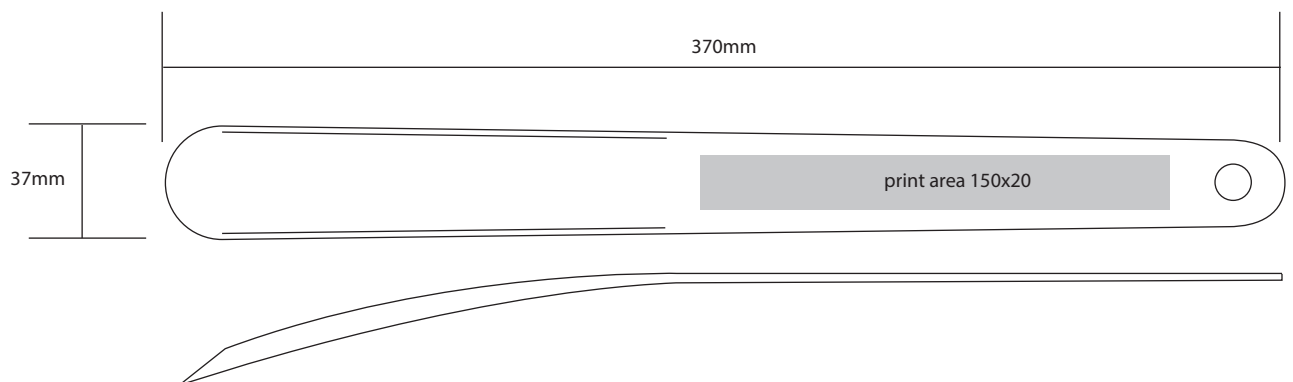
Product Description

The large all plastic Shoe Horn is available in 6 colours

Min Order Qty	100
Manufactured	uk
Production Time	2-3Weeks
Material	tbc
Colours Available	White, Blue, Green, Red, Yellow, Orange
Bio Material Available	No

Print Area	150x20mm
Print Method	Pad Print
CMYK Label	No

Template



Dimensions:
Height: 370mm
Width: 37mm

Artwork Requirements

- File Supplied to be an editable EPS or PDF.
- Artwork to be vectorised with text outlined.
- Pantone references to be supplied.
- Full colour artwork should be supplied as CMYK files at a minimum of 300dpi.

-Regardless of printing method artwork needs to be emailed with your order number, company name and any other instruction for the job.

Please note

All Information given correct at the time of production.

We will endeavour to maintain the accuracy of this document, however, details may change without notice.

Creative
Promotional
Products