

Product Spec Sheet - 8708

Product Name : Triangle meter box key

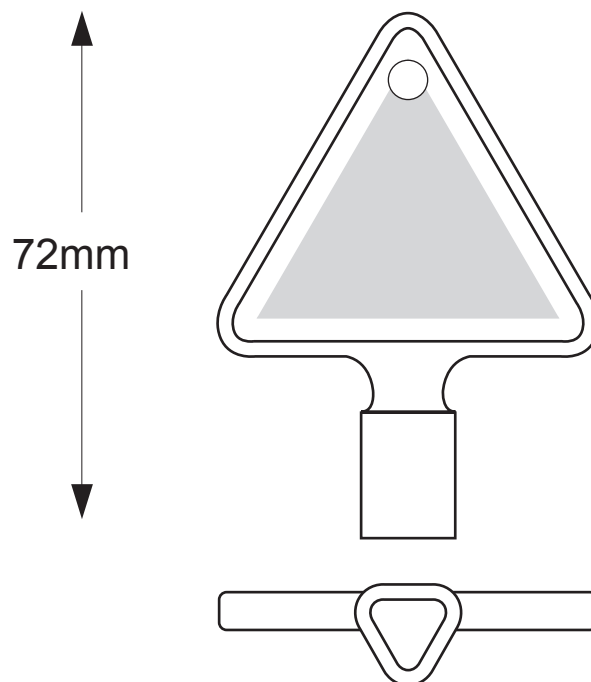
Product Description

The Triangular plastic meter/utility box key can be printed on both sides in up to 4 spot colours. It can also be relief moulded. It can also be supplied with Keyring attachments at extra cost.

Min Order Qty	100
Manufactured	UK
Production Time	2-3 Weeks
Material	tbc
Colours Available	all standard
Bio Material Available	No

Print Area	25x35
Print Method	tbc
CMYK Label	No

Template



Artwork Requirements

- File Supplied to be an editable EPS or PDF.
- Artwork to be vectorised with text outlined.
- Pantone references to be supplied.
- Full colour artwork should be supplied as CMYK files at a minimum of 300dpi.

-Regardless of printing method artwork needs to be emailed with your order number, company name and any other instruction for the job.

Please note

All Information given correct at the time of production.

We will endeavour to maintain the accuracy of this document, however, details may change without notice.

Creative
Promotional
Products