

Product Spec Sheet - 8696

Product Name : Lens Cleaner Case

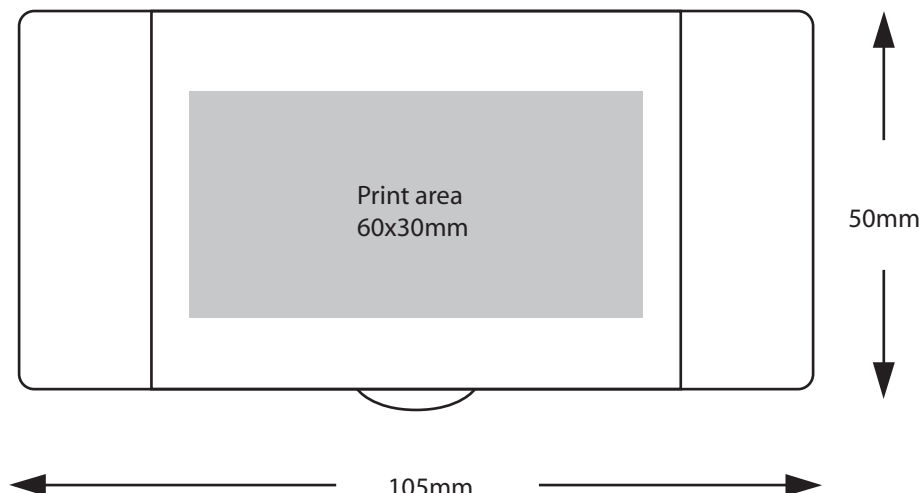
Product Description

This compact box with hinged lid contains a white microfibre lens cleaning cloth. The box can be printed in up to 4 spot colours.

Min Order Qty	100
Manufactured	EU
Production Time	3-4 Weeks
Material	Polyurethane
Colours Available	Clear & White, Trans Red/Blue & White
Bio Material Available	No

Print Area	60x30mm
Print Method	Pad Print
CMYK Label	N/A

Template



Dimensions:
Length: 105mm
Width: 50mm
Depth: 8mm

Artwork Requirements

- File Supplied to be an editable EPS or PDF.
- Artwork to be vectorised with text outlined.
- Pantone references to be supplied.
- Full colour artwork should be supplied as CMYK files at a minimum of 300dpi.

-Regardless of printing method artwork needs to be emailed with your order number, company name and any other instruction for the job.

Please note

All Information given correct at the time of production.

We will endeavour to maintain the accuracy of this document, however, details may change without notice.

Creative
Promotional
Products