

Product Spec Sheet - 8675

Product Name : Curved Spoke reflector

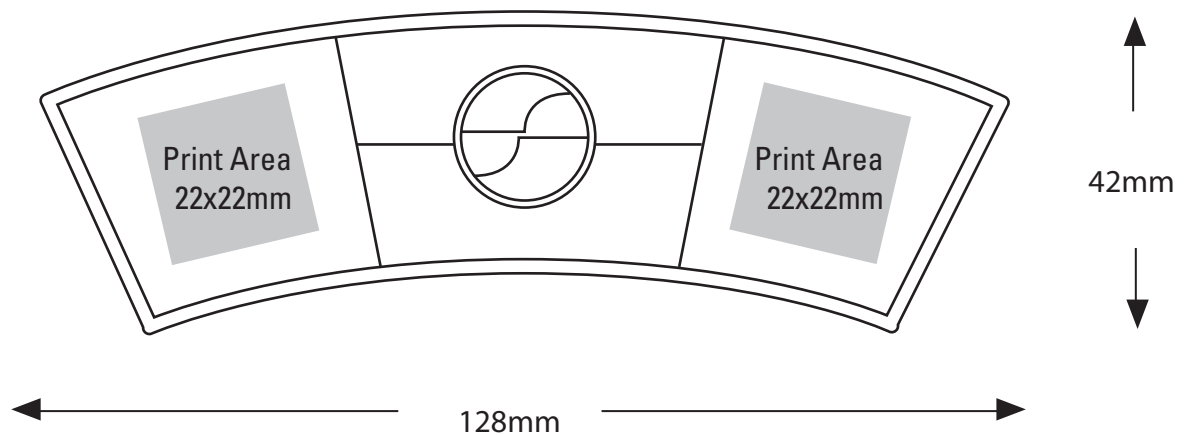
Product Description

Prismatic Curved Spoke reflector to EN13356 Road Safety approved standards, with a robust clip for attaching to cycle wheel spokes.
Can be printed on 1 side.

Min Order Qty	100
Manufactured	EU
Production Time	3-4 Weeks
Material	TBC
Colours Available	Clear
Bio Material Available	No

Print Area	22x22mm
Print Method	Pad Print
CMYK Label	No

Template



Artwork Requirements

- File Supplied to be an editable EPS or PDF.
- Artwork to be vectorised with text outlined.
- Pantone references to be supplied.
- Full colour artwork should be supplied as CMYK files at a minimum of 300dpi.

-Regardless of printing method artwork needs to be emailed with your order number, company name and any other instruction for the job.

Please note

All Information given correct at the time of production.

We will endeavour to maintain the accuracy of this document, however, details may change without notice.

Creative
Promotional
Products