

Product Spec Sheet - 8641

Product Name : Horn Noisemaker

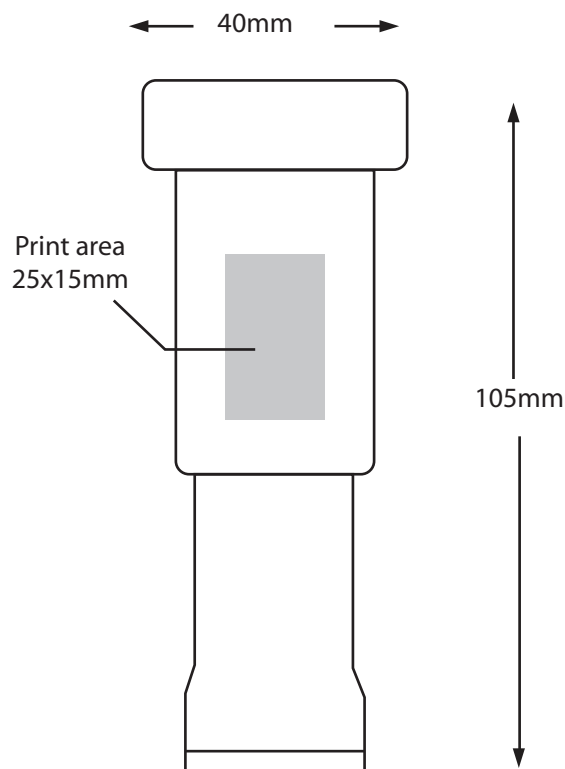
Product Description

The Horn can be blown or spoken through and magnifies the noise made. Comes complete with neck cord attached.

Min Order Qty	100
Manufactured	UK
Production Time	3-4 Weeks
Material	HIPS
Colours Available	Red, White, Yellow
Bio Material Available	No

Print Area	25x15mmmm
Print Method	Pad Print
CMYK Label	No

Template



Dimensions:
Height: 105mm
Width: 40mm

Artwork Requirements

- File Supplied to be an editable EPS or PDF.
- Artwork to be vectorised with text outlined.
- Pantone references to be supplied.
- Full colour artwork should be supplied as CMYK files at a minimum of 300dpi.

-Regardless of printing method artwork needs to be emailed with your order number, company name and any other instruction for the job.

Please note

All Information given correct at the time of production.

We will endeavour to maintain the accuracy of this document, however, details may change without notice.

Creative
Promotional
Products