

# Product Spec Sheet - 8636

Product Name : 400ml Screw Top Container

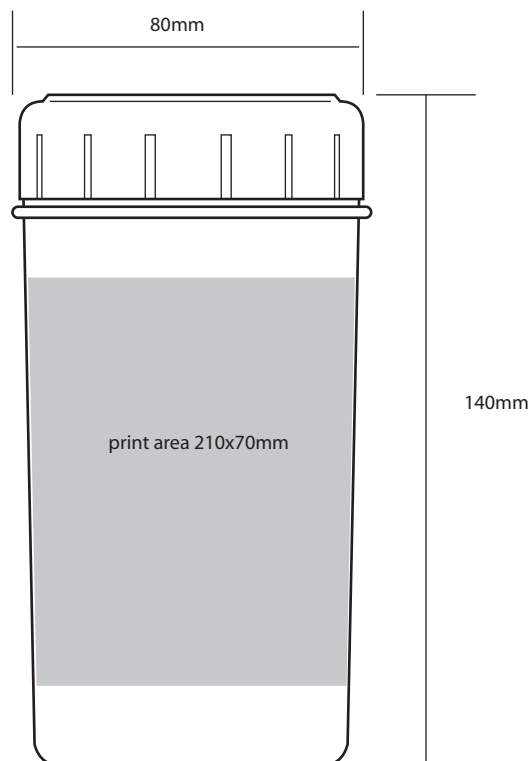
## Product Description

This screw top 400ml container is ideal for storing or transporting food and drink and is microwave proof. It has a clear body and white lid.

Min Order Qty	100
Manufactured	UK
Production Time	3-4 Weeks
Material	Polypropylene
Colours Available	Clear (white lids)
Bio Material Available	No

Print Area	210x70mm
Print Method	Pad Print
CMYK Label	No

## Template



Dimensions:  
Height: 140mm  
Width: 80mm

## Artwork Requirements

- File Supplied to be an editable EPS or PDF.
- Artwork to be vectorised with text outlined.
- Pantone references to be supplied.
- Full colour artwork should be supplied as CMYK files at a minimum of 300dpi.

-Regardless of printing method artwork needs to be emailed with your order number, company name and any other instruction for the job.

### Please note

All Information given correct at the time of production.

We will endeavour to maintain the accuracy of this document, however, details may change without notice.

Creative  
Promotional  
Products