

# Product Spec Sheet - 8584

Product Name : Membership Card Wallet

## Product Description

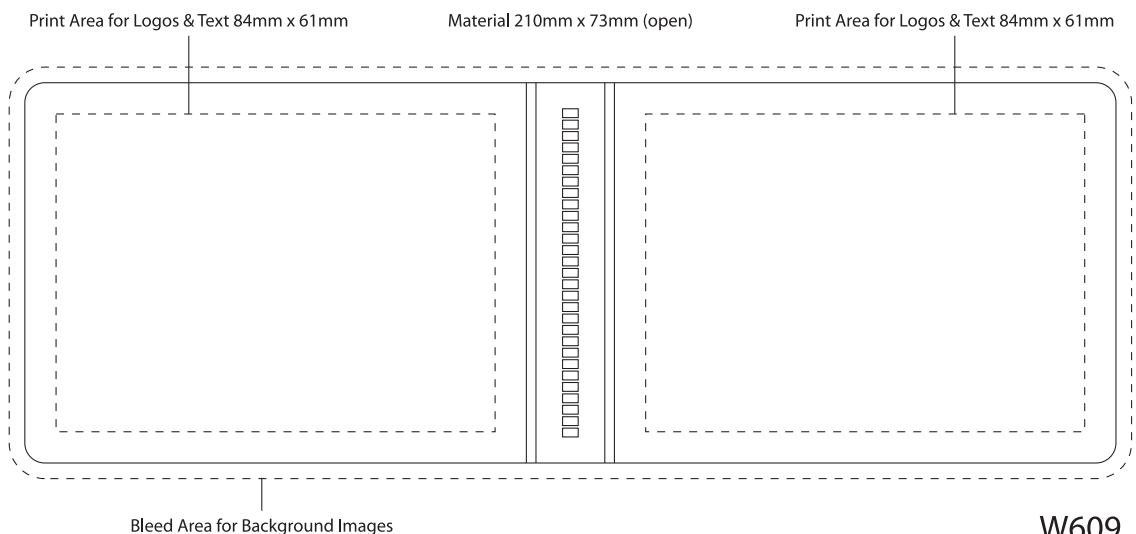
A folding plastic wallet with four inner pockets to hold credit, membership and travel cards that can be printed in up to 4 spot colours and can also be process printed

Min Order Qty	250
Manufactured	UK
Production Time	3-4 Weeks
Material	PVC
Colours Available	Orange, Yellow, Blue, Purple, Red Black, White, Silver, Grey, Green,
Bio Material Available	No

Print Area	Print Area 80x61mm
Print Method	Pad Print
CMYK Label	N/A

## Template

### Business Card Wallet



W609

Dimensions:  
Height: 72mm Width: 222mm (open)

## Artwork Requirements

- File Supplied to be an editable EPS or PDF.
- Artwork to be vectorised with text outlined.
- Pantone references to be supplied.
- Full colour artwork should be supplied as CMYK files at a minimum of 300dpi.

-Regardless of printing method artwork needs to be emailed with your order number, company name and any other instruction for the job.

### Please note

All Information given correct at the time of production.

We will endeavour to maintain the accuracy of this document, however, details may change without notice.

Creative  
Promotional  
Products