

# Product Spec Sheet - 8580

Product Name : Mobile Phone Holder

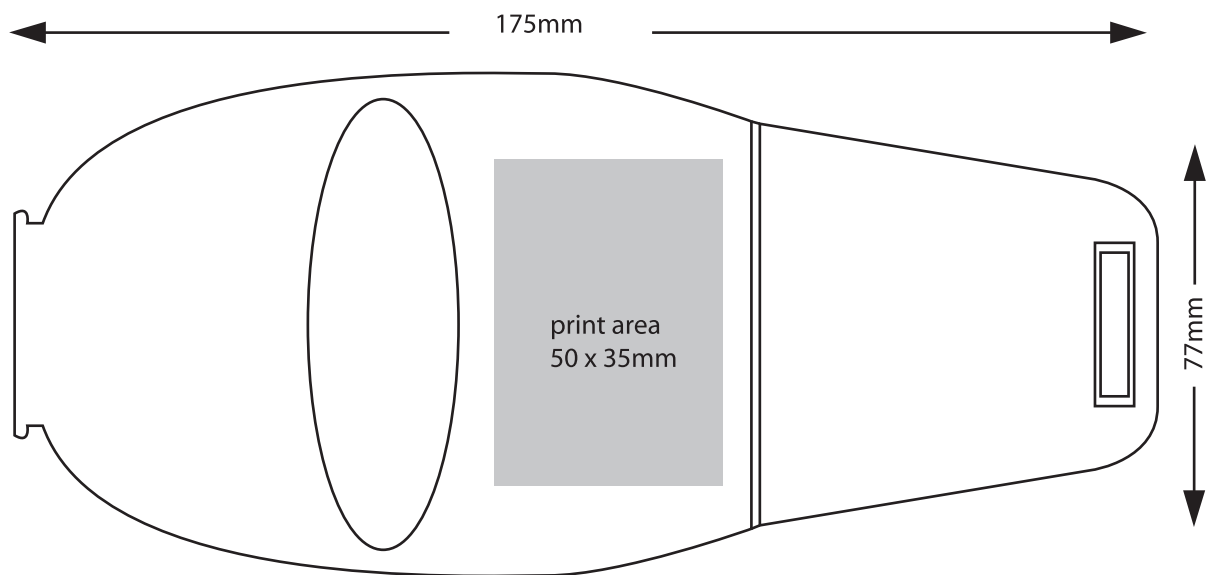
## Product Description

The flat pack holder will hold Blackberry's or standard mobiles and comes flat packed for mailing. Can be printed in up to 4 spot colours

Min Order Qty	250
Manufactured	EU
Production Time	3-4 Weeks
Material	Polyurethane
Colours Available	Blue, Red
Bio Material Available	No

Print Area	50x35mm
Print Method	Pad Print
CMYK Label	N/A

## Template



Dimensions:  
Length: 175mm  
Height: 77mm  
Depth: 2mm

## Artwork Requirements

- File Supplied to be an editable EPS or PDF.
- Artwork to be vectorised with text outlined.
- Pantone references to be supplied.
- Full colour artwork should be supplied as CMYK files at a minimum of 300dpi.

-Regardless of printing method artwork needs to be emailed with your order number, company name and any other instruction for the job.

### Please note

All Information given correct at the time of production.

We will endeavour to maintain the accuracy of this document, however, details may change without notice.

Creative  
Promotional  
Products