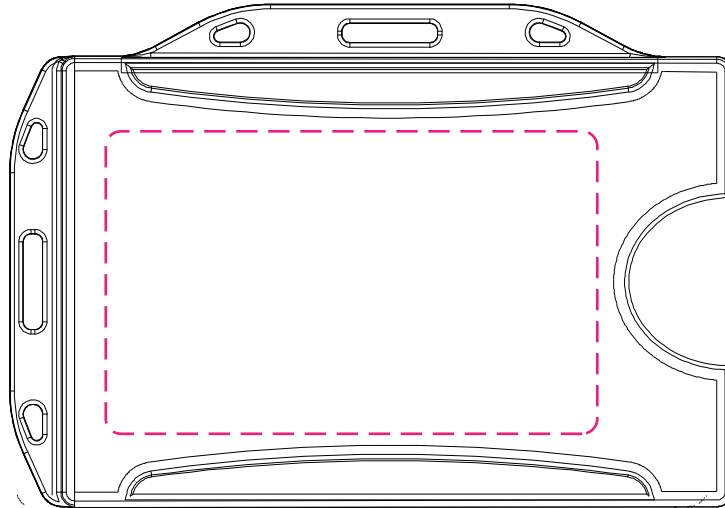
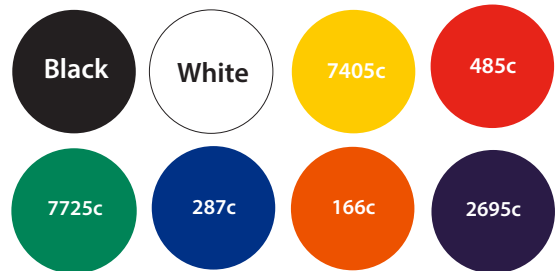


ID Card Holder Artwork Template



Available colours



Description: ID Card Holder
Item Size: 95mm x 65mm
Artwork Size: APPROX 65mm x 40mm

closest approximated colour match

Further Notes

Any font smaller than this may not be legible.

Please note: If artwork is supplied and approved below this size then we cannot take responsibility if the wording is illegible after printing

Final printed colour may differ from this proof

If Pantone references are provided we will endeavour to match them as closely as possible within the limitations of the digital process